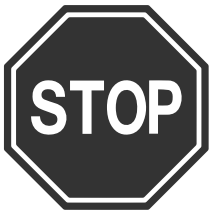


# SHAVING CABINET INSTALLATION GUIDE



Please read this installation instruction BEFORE installations. If the product is not installed in accordance with these instructions by a qualified tradesperson to a tradesperson standard. Failure to do so, your Arova warranty may be void and the home owner may have a claim against you (the installer).



**BEFORE INSTALLATION:** Inspect thoroughly to ensure the product has not been damaged and is correct.

Installation is acceptance of goods.

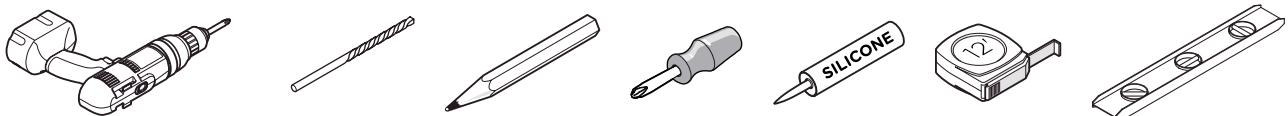
**NO CLAIMS FOR DAMAGES OR INCORRECT PRODUCTS WILL BE RECOGNISED AFTER INSTALLATION.**

## INSTALLERS TO COMPLETE

Date Installed:	
Installer's Name:	
License #:	
Business Name:	
Phone #:	
Product Installed:	
Signature:	

\* Please leave document to home occupier for future reference.

## TOOLS REQUIRED FOR INSTALLATION



# ✓ PRIOR TO INSTALLATION

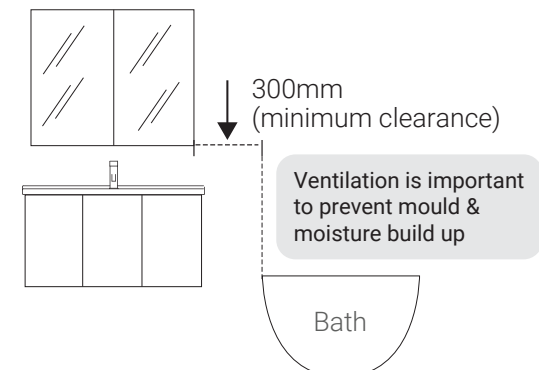
## 1. Inspect products for any damages

Within 48 hours of receiving your goods, unpack your Arova product and check for any possible freight damages, missing parts or incorrect items. Contact Arova (info@arova.com.au) in writing immediately with your order number, product code and attach clear images where appropriate.



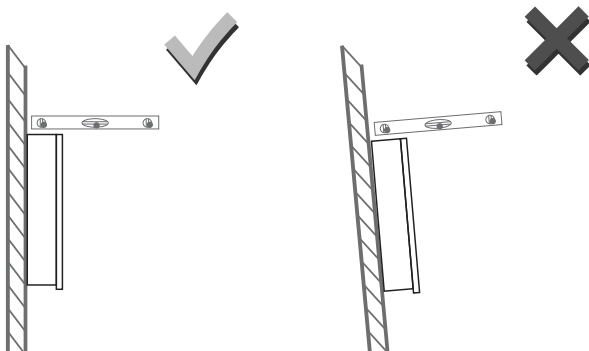
## 2. Keep 300mm away from wet areas

It is recommended that cabinets are installed at least 300mm away from wet areas. Do not expose the cabinet to shower sprays or bath water splash as materials used in the construction of our tallboy units are moisture and humidity resistant, not water proof.



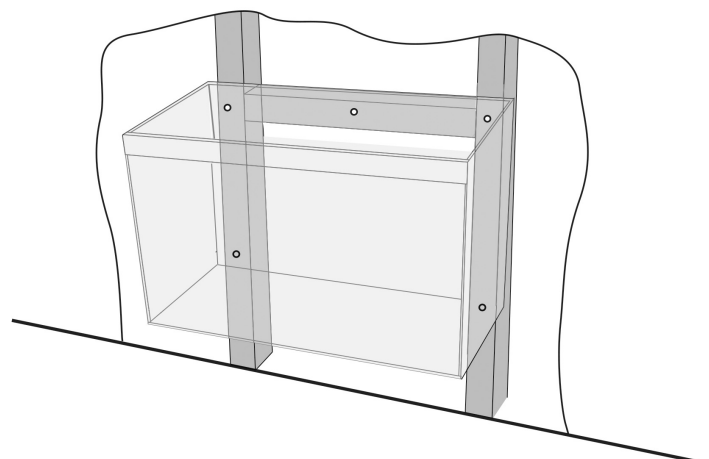
## 3. Ensure walls are plumb and straight

Before installing, check that your wall is straight and plumb. If it is impossible to make the wall straight, the cabinet need to be packed out so that it can be finished straight. If your cabinet is fixed to non-plumb wall, the cabinet will be finished twisted and the doors will fall out of alignment and not operate properly.

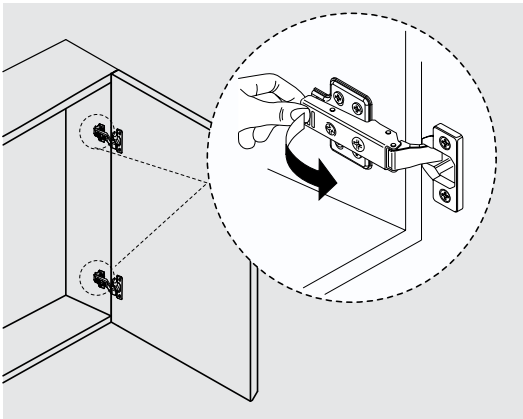


## 4. Check for support beams

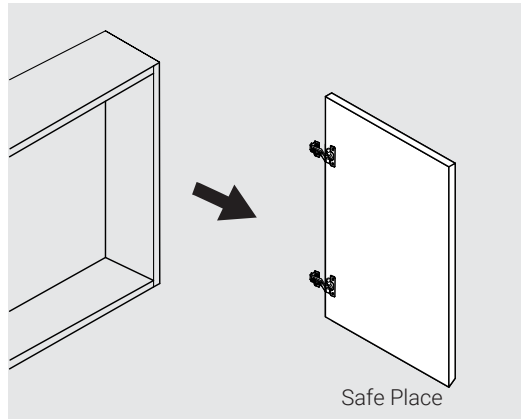
Support beams are required between the studs to give a solid wall backing to attach the shaving cabinet. The shaving cabinet must be attached to a minimum of 2 support beams or studs.



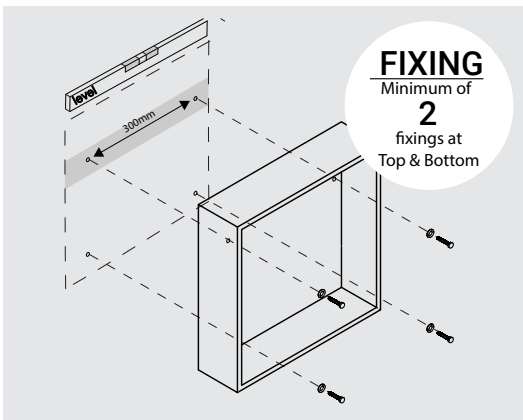
 **INSTALLATION**



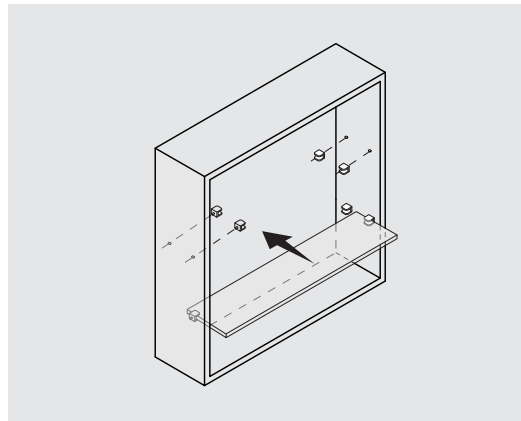
1. Remove mirrored doors. Apply finger pressure to clip at the end of hinge and pull forward to release.



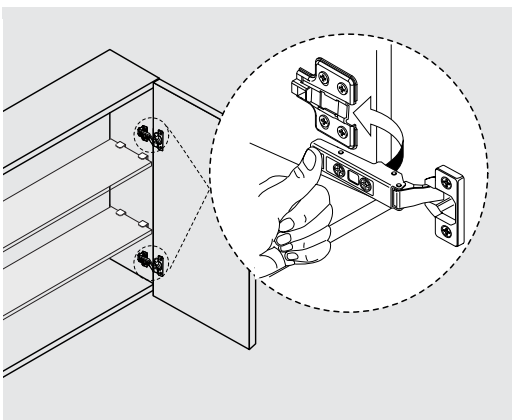
2. Remove mirrored doors and place flat on soft surface with mirrors facing up to avoid damages.



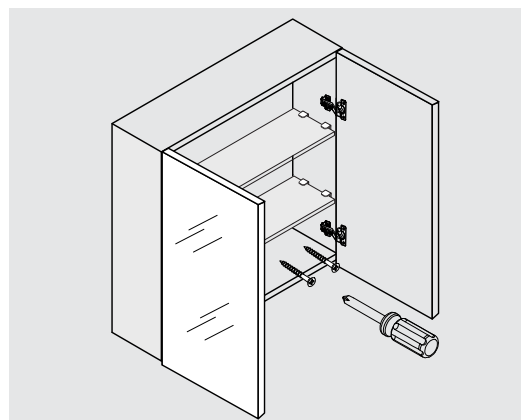
3. Location support beams and position unit in desired location and check all sides are sitting level. Securely fasten cabinet to the wall through back with appropriate screws/bolts at TOP and Bottom of cabinet. Evenly space apart the horizontal fixings at a maximum of 300mm apart.



4. Install the shelf. Determine the shelf locations and insert the slotted pins into the holes in the sides of the shaving cabinet. Install the shelf between the slots of the pins and then, tighten the plastic screw at bottom of each clip. Be careful not to overtighten if necessary.



5. Put doors back to cabinet. Engage hinge arm to mounting bracket, press the back of hinge into place. When you hear a 'click' sound, the hinge is engaged.



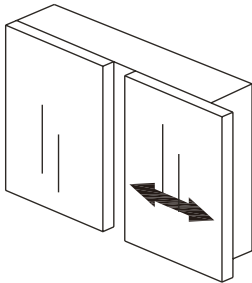
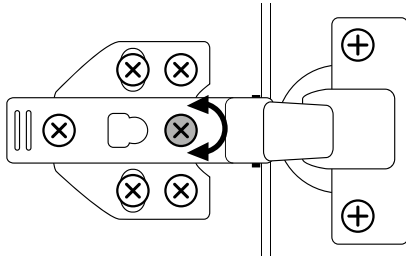
6. Once you are happy with the position of the cabinet, add extra screws to secure the cabinet to studs/support beam.

## ✂️ ADJUSTMENT

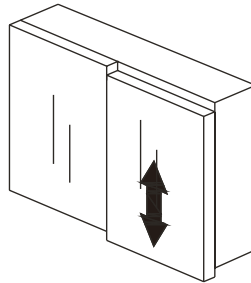
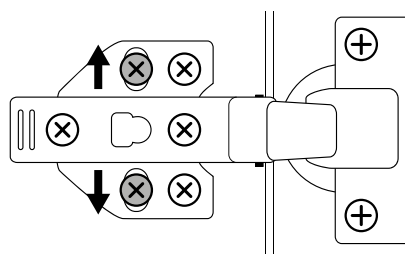
**NOTE:**

IT IS THE INSTALLER'S RESPONSIBILITY TO MAKE ADJUSTMENTS TO DOORS/DRAWERS ALIGNMENT AFTER INSTALLATION!

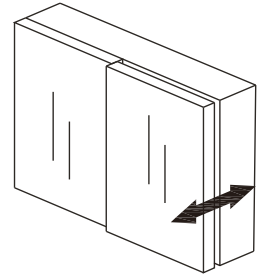
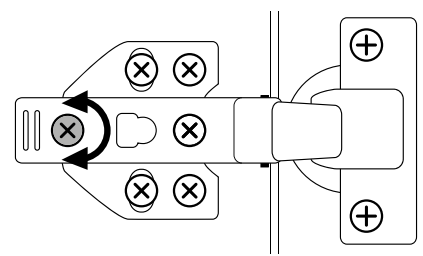
**Adjust door overlay**



**Adjust door height**



**Adjust door depth**



## CARE & MAINTENANCE

AROVA products are produced from materials that are well suited to the bathroom however all products require cleaning and maintenance to ensure longevity.

The best method of maintaining the finish is simply to wipe over with a clean, soft cloth regularly. Any water spills should be wiped away immediately. It is important that no abrasive cleaners or wax-based creams are used.

**Scratches**

Avoid contact with hard or sharp objects. If minor scratches or fine marks occur on 2 pac paint surface, rub gently with cutting compound followed by buffing with car polish and a clean, soft cloth.

**Burns**

Avoid placing hot objects, such as hair straighteners, curling tongs on any surface as these will cause burns, discolouration and marking. Should slight accidental damage occur, it may be possible to remove minor marks with the same approach as for scratches above.

**Chemical damage**

Chemical products spills should be removed immediately and any chemical residue should be cleaned with a soft and clean cloth. Examples of common household chemical products: hair dye/lacquer/sprays/removers, bleach, after-shave lotion, nail polish and remover, mineral turpentine, white spirit, kerosene, aerosol propellants and insecticides.



## WARRANTY

For up to date warranty information please go to:

<https://www.arova.com.au/pages/warranty>

For any other further information please contact your nearest Arova showroom