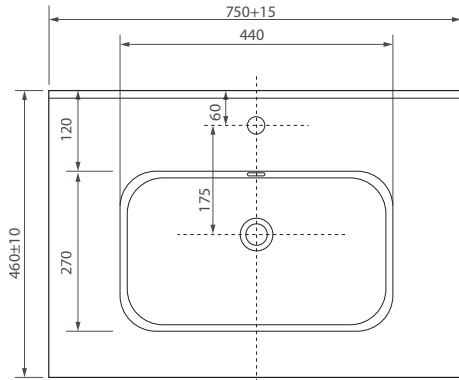
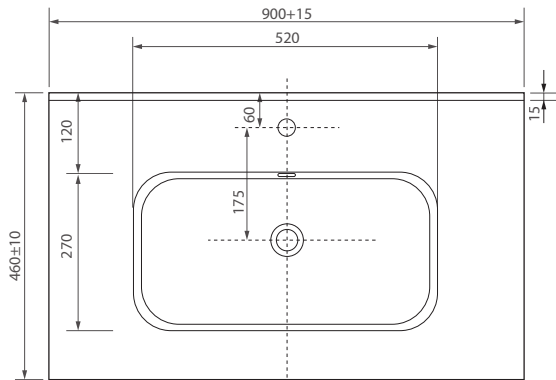


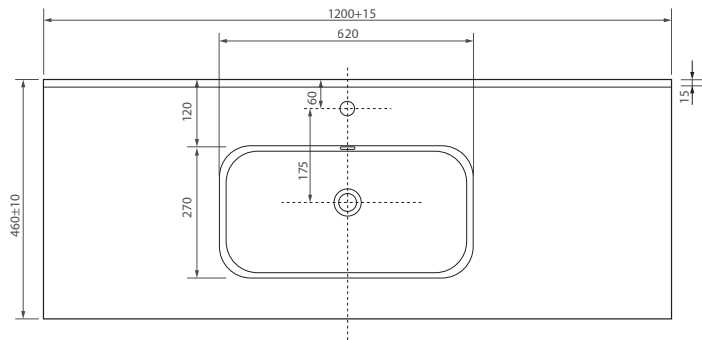
SCT60



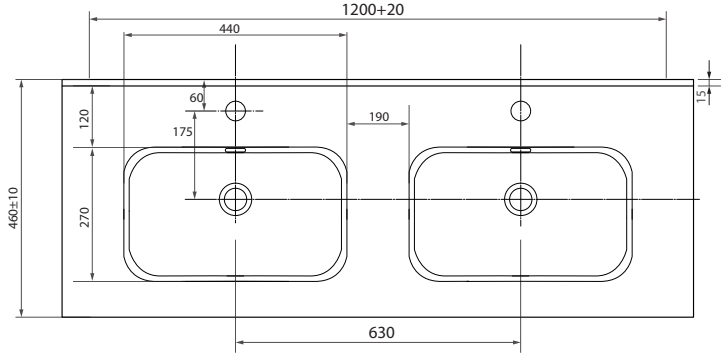
SCT75



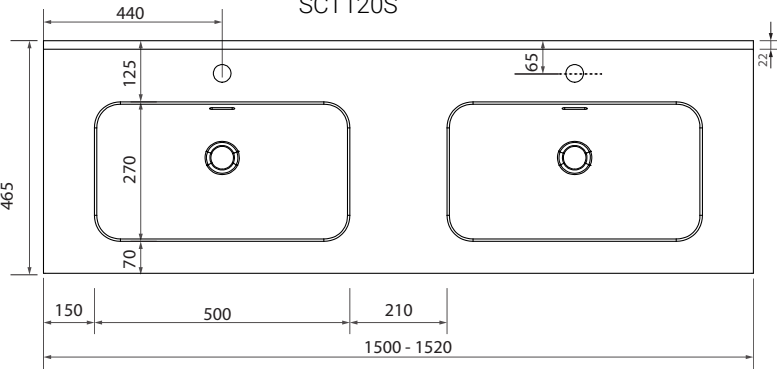
SCT90



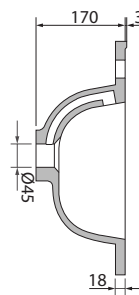
SCT120S



SCT120D



SCT150D



FEATURES

- Soft curve bowl design
- 18mm thick, quality surfaces made from vitrified china
- Suits 32mm overflow waste (not included)
- Built-in overflow, brass over-flow ring in Chrome included
- 1 tap hole for each bowl at 12 O'clock
- 15 Year Warranty

arova®

With our policy of continuous improvement, we reserve the right to change or discontinue at any time, specifications or designs without notice. Please confirm all particulars before purchase and have the product at site before rough in. To the extent permitted by law, Arova is not liable for any errors, omissions or misrepresentations of information or for any loss or damage suffered by persons who use or rely on such information.

www.arova.com.au

*The warranty only covers manufacturing faults and defects and does not include wear and tear or water damage.