

CERAMIC TOP INSTALLATION GUIDE



Please read this installation instruction BEFORE installations. If the product is not installed in accordance with these instructions by a qualified tradesperson to a tradesperson standard. Failure to do so, your Arova warranty may be void and the home owner may have a claim against you (the installer).

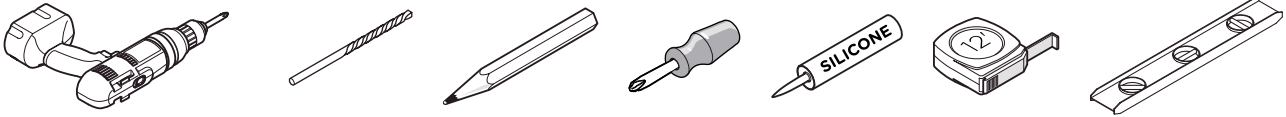


BEFORE INSTALLATION: Inspect thoroughly to ensure the product has not been damaged and is correct.

Installation is acceptance of goods.

NO CLAIMS FOR DAMAGES OR INCORRECT PRODUCTS WILL BE RECOGNISED AFTER INSTALLATION.

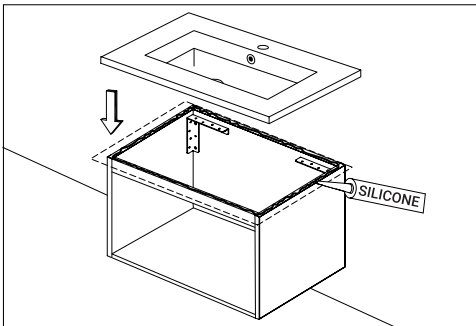
TOOLS REQUIRED FOR INSTALLATION



Please Note: Ceramic is a natural product and therefore subject to variations. Variations +/- 2% to the specifications are common and acceptable and are within industry tolerance. If you would like a perfectly level straight benchtop, please consider stone tops.

The measurements are representative of all actual product at time of printing. It's recommended to have the product onsite for the rough-in. All described measurements are a guide only and are expected to have slight changes subject to Errors and Omissions Excepted (E&EO). Ceramic products may have differences of +/-10mm.

✂ INSTALLATION

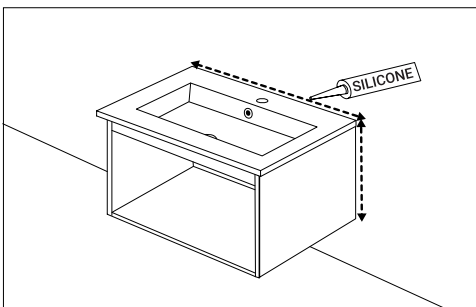


DO NOT INSTALL vanity top until the cabinet is level and plumb in all directions!

a) Apply a continuous bead of non-acidic silicone to top four edges of the vanity and at the back where top meets the wall. Position the top (ideally the top will equally overhang on each side) and ensure the top surface is level.

b) Seal any visible gaps between the cabinet and the top and the basin with continuous bead of silicone.

c) Seal all edges where cabinet and top meet the floor and wall to prevent water penetration.



CARE & MAINTENANCE

- Clean the surface with a soft, clean cloth and mild soapy water or a non-abrasive bathroom cleaner. Test in an inconspicuous area before cleaning the whole top.
- Avoid placing hot items, such as hair straighteners, on the surface, as this may cause discoloration or marks.
- Immediately wipe up spills of hair dye, aftershave, nail polish, remover, aerosol sprays, or other harsh chemicals to prevent damage or staining. Use mild soapy water and a soft, clean cloth for cleaning.