

APOLLO/MOON/GEMINI LED MIRROR INSTALLATION



WARNING:

This mirror must be installed by a qualified electrician in accordance with AS/NZS 3000 wiring rules. Switch off the electrical supply at the mains before installation and maintenance. A means of disconnection must be incorporated in the fixed wiring in accordance with the wiring rules. Suitable for bathroom and non-bathroom/dry areas. Not suitable for above baths, nor for installation in saunas, steam rooms or shower cubicles. Please consult with a qualified electrician to confirm appropriate compliant installation location.

Rated IP44 and suitable for indoor use only. Do not fix to damp or conductive surfaces. Site well away from curtains and fabrics. Never cover the mirror. Switch off after use. Do not leave on for prolonged periods. This appliance is not to be used by persons (including children) with reduced physical, sensory or mental capabilities, or lack of experience and knowledge, unless they have been given supervision or instruction. Children should be supervised to ensure that they do not play with the appliance.

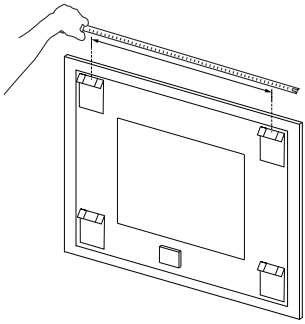


Inspect the product immediately upon receipt for transit damage, missing parts or manufacturing faults. Handle the product with care and protect against knocks to all sides and edges of the glass.

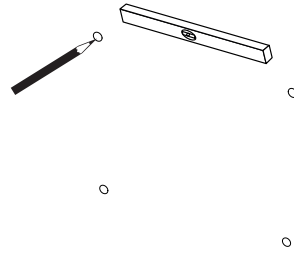
INSTALLERS TO COMPLETE:

Date Installed:	
Installer's Name:	
License #:	
Business Name:	
Phone #:	
Product Installed:	
Signature:	

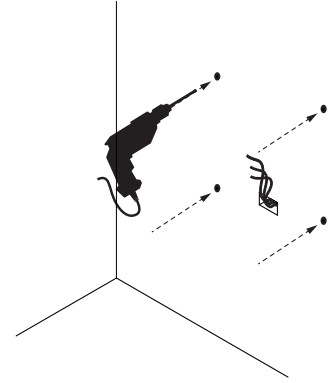
* Please leave document to home occupier for future reference.



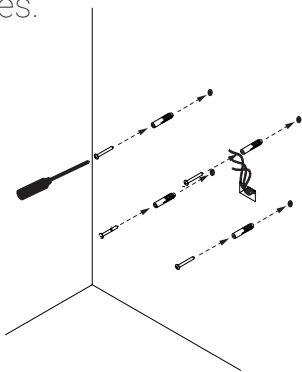
1. Measure the anchor positions taking consideration of the position of the mounting holes.



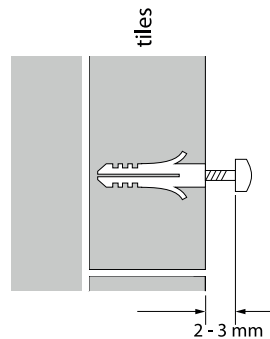
2. Use a spirit level to mark each fixing point.



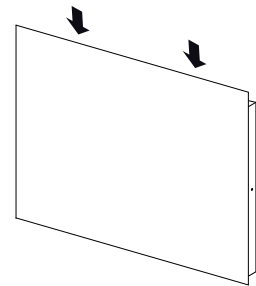
3. Ensure there are no water or electrical sources behind the fixing points and drill wall as per markings.



4. Insert screw anchors suited to the type of wall to which the mirror will be fixed. (Only screws in the case of wood studs).



5. Complete all required electrical connections in the included electrical junction box and hang the mirror on screws.



6. Place screws into the keyholes on the back of the mirror. Once all screws are positioned in keyholes, push mirror down to secure.

***Diagrams are not to dimension or exact product shape, guide only**

CLEAN & CARE:

- Do not leave the mirror on for prolonged period.

Mirror and Shaving Cabinet:

- Please clean mirror surface with a mixture of 30% isopropyl alcohol and 70% water and use a soft micro-fibre cloth/chamois.
- Dry off the mirror edges.
- Wipe off all water spillages immediately.

***Do not use any abrasives, acidic or alkaline based solvents/cleaners. Avoid sharp objects and keep heat and hot objects away from all surfaces of Remer Products.**

For up to date warranty information please go to:

<https://www.arova.com.au/pages/warranty>

For any other further information please contact your nearest Arova showroom